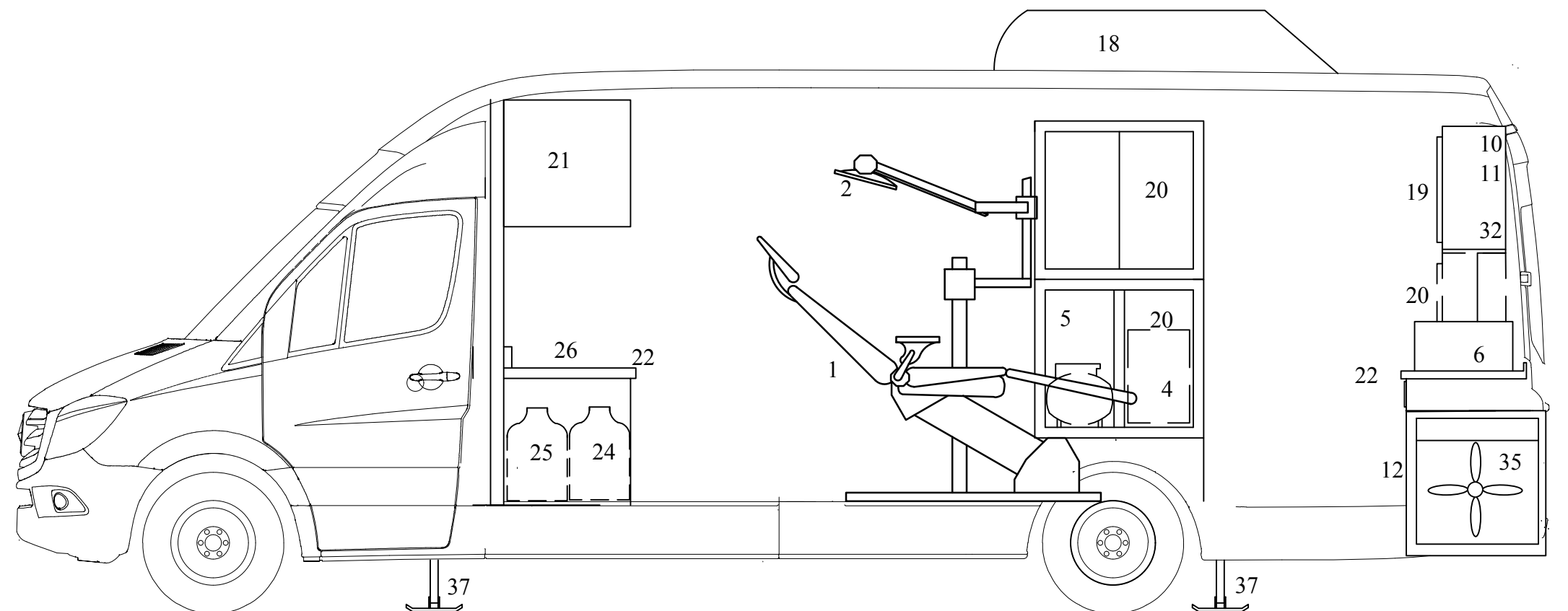
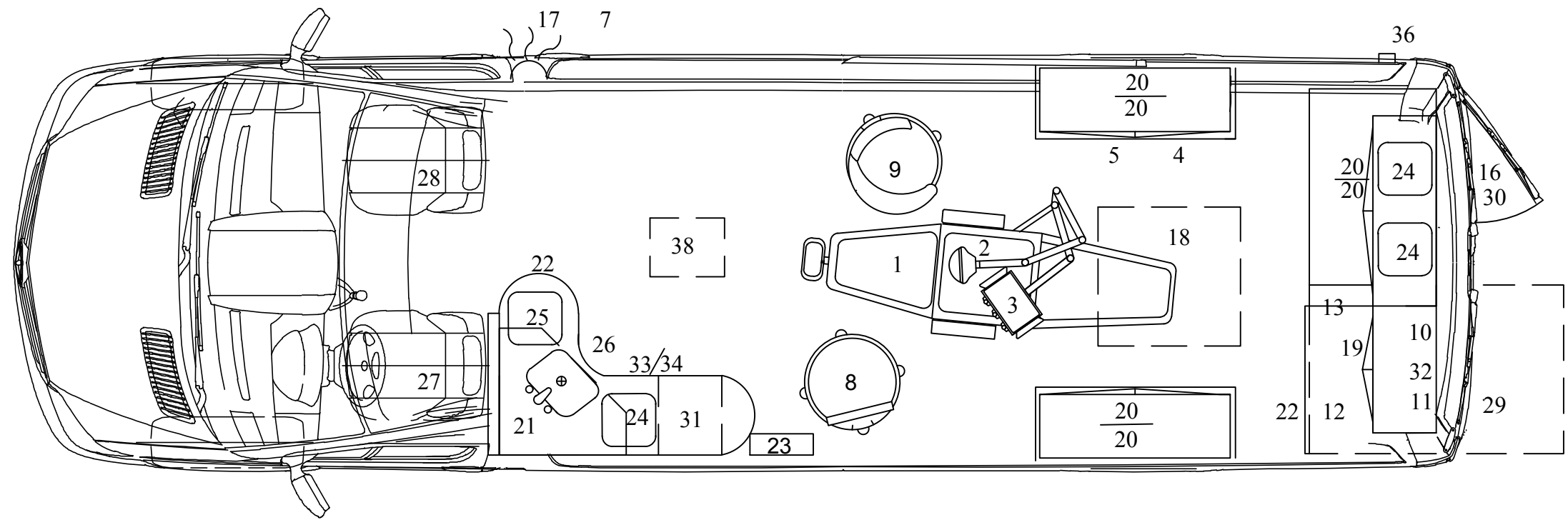


- 1) DENTAL CHAIR
- 2) FIXED LIGHT
- 3) DELIVERY SYSTEM
- 4) DENTAL COMPRESSOR
- 5) SUCTION UNIT
- 6) STERILIZER
- 7) ENTRY DOOR, SLIDING
- 8) ASSISTANT STOOL
- 9) DR STOOL
- 10) POWER PANEL
- 11) TRANSFER SWITCH
- 12) GENERATOR COMPARTMENT, INSULATED
- 13) ELECTRICAL COMPARTMENT, INSULATED
- 14) GEN. REMOTE START/STOP
- 15) SHORE CABLE (NOT SHOWN)
- 16) HYDRAULIC COMPARTMENT
- 17) ENTRY LIGHT
- 18) 13,500BTU ROOFTOP HVAC UNIT
- 19) 24"x24" OVERHEAD CABINET
- 20) (6) 36"x30" OVERHEAD CABINETS
- 21) CORNER OVERHEAD CABINET
- 22) WORK SURFACE
- 23) GLOVE BOX
- 24) (3) CARRY ON WATER BOTTLE
- 25) CARRY OFF WASTE WATER TANK
- 26) SINK
- 27) DRIVER SEAT
- 28) PASSENGER SEAT
- 29) LEFT REAR DOOR FIXED
- 30) RIGHT REAR DOOR
- 31) 12"x 24" BASE CABINET WITH DRAWERS
- 32) RADIO
- 33) WATER PUMP
- 34) DEMAND HOT WATER HEATER
- 35) 5kw DIESEL GENERATOR
- 36) SHORE POWER RECEPTACLE
- 37)(4) LEVELING JACKS
- 38)ROOF VENT



78" NOMINAL CEILING HEIGHT
74" NOMINAL WIDTH

THIS DRAWING WAS ORIGINATED BY AND IS THE EXCLUSIVE PROPERTY OF MOBILE CONVERSIONS INC. IT IS FURNISHED FOR RECIPIENT'S INFORMATION ONLY AND IS NOT AN AUTHORIZATION OR LICENSE TO MAKE THIS CONSTRUCTION OR TO FURNISH THIS TO OTHERS.

UNLESS OTHERWISE SPECIFIED: DIMENSIONS ARE IN INCHES TOLERANCES			CONTRACT NO. --		MOBILE CONVERSIONS, INC. CINCINNATI, OHIO www.mobileconversions.com	
FRACTIONS	DECIMALS	ANGULAR	DRAWN BY: SHANE WISBY	DATE 11/7/2016	TITLE SPRINTER 1 OFF DENTAL COACH	
X ± 1/16	.XX ± .03	±	CHECKED BY:	--	SIZE B	CAGE CODE --
XX ± .16	.XXX ± .010		APPROVED BY:	--	DWG. NO. 1000816	RELEASE DATE --
MATERIAL	--		FILE:	--	SCALE --	SHEET 1 OF 1
FINISH	--					
SIMILAR TO	--					